

REVERSIBLE AIR TANKS

UNIVERSAL DESIGN SUPPORTS BOTH STANDARD AND INVERTED MOUNTING IN VARIOUS CONFIGURATIONS



MULTIPLE PORTS ALLOW FOR VARIOUS CONFIGURATIONS WHEN PAIRED WITH A PLUG & BUSHING KIT

Air tank reservoirs play a crucial role in storing air and maintaining pressure within pneumatic systems. Designed to be reversible, these universal air tanks come with multiple ports, allowing them to fit seamlessly into various system configurations. With a large storage capacity, our tanks provide a consistent and reliable air supply for pneumatic systems, including those used in brakes, suspension, and auxiliary systems.

- Proudly **MADE IN THE USA** at our facility in Ohio!
- Meets SAE J10 and FMVSS121 standards for vehicles equipped with air braking systems
- Working pressure of 150 psi
- High strength steel & black coated finish for durability and corrosion resistance
- Universal design supports both standard and inverted mounting in various airline configurations



- ① - 3/4" Side Ports for various configurations
- ② - 1/4" Drain Ports at the top & bottom
- ③ - 3/8" End Ports above & below brackets

PLUG & BUSHING KIT

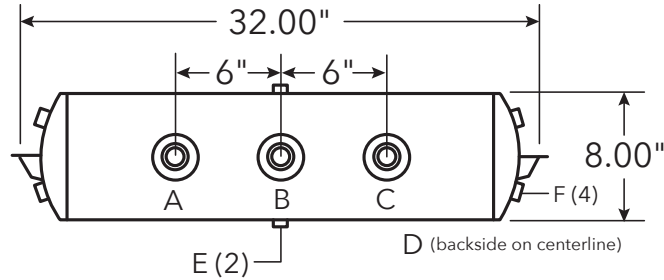
This accessory kit includes commonly used plugs, bushings, and a drain valve, making it simple to configure Tramec Sloan's reversible air tanks for a variety of trailer applications.

Kit includes:

- Hex Plug 1/4" (1)
- Hex Plug 3/8" (4)
- Hex Plug 3/4" (3)
- Bushing 3/8" Male x 1/4" Female (1)
- Bushing 3/4" Male x 1/2" Female (2)
- Manual Drain Valve 1/4" with 60" Cable (1)



TSJ80U: 8" DIAMETER REVERSIBLE AIR TANK



P/N	DIA.	CAPACITY	LENGTH	MAIN PORT A	MAIN PORT B	MAIN PORT C	MAIN PORT D	DRAIN PORTS E	END PORTS F	MATERIAL
TSJ80U	8"	1410 in ³	32"	3/4"	3/4"	3/4"	3/4"	1/4" (2)	3/8" (4)	Coated Steel

Use with our PLUG & BUSHING KIT (TSJKITF1) to replace common OEM style air tanks

TSJ80U REPLACES THE FOLLOWING AIR TANKS

OEM / REPLACES PART NUMBERS

035102	172.2000TH	HT-8047	ST8036
11013	HT-8000	HT-8052	ST8037
12-142501	HT-8001	HT-8068	ST8047
172.200	HT-8007	ST8000	ST8052
172.2000002	HT-8014	ST8001	ST8068
172.2000D	HT-8016	ST8007	TQ11295
172.2000DH	HT-8022	ST8014	
172.2000R	HT-8036	ST8016	
172.2000T	HT-8037	ST8022	

FULL LINE OF AIR TANKS

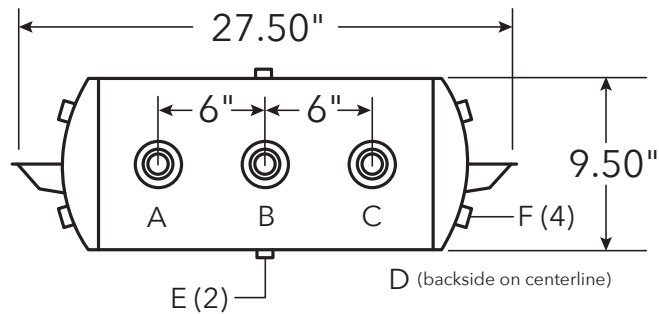
Visit our website to learn more about our full lineup of Air Tanks designed and built by the Air Reservoir Specialists



SCAN TO SEE THEM ALL



TSJ95U: 9.5" DIAMETER REVERSIBLE AIR TANK



P/N	DIA.	CAPACITY	LENGTH	MAIN PORT A	MAIN PORT B	MAIN PORT C	MAIN PORT D	DRAIN PORTS E	END PORTS F	MATERIAL
TSJ95U	9.5"	1490 in ³	27.5"	3/4"	3/4"	3/4"	3/4"	1/4" (2)	3/8" (4)	Coated Steel

Use with our PLUG & BUSHING KIT (TSJKITF1) to replace common OEM style air tanks

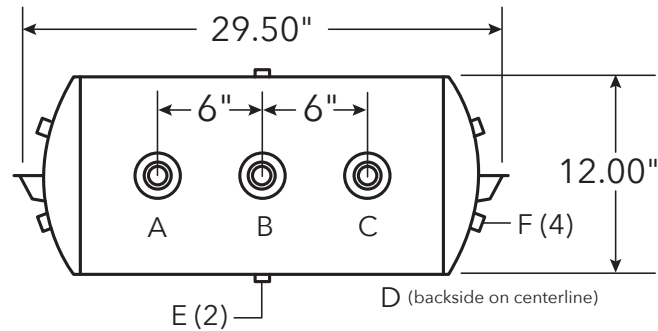
TSJ95U REPLACES THE FOLLOWING AIR TANKS

OEM / REPLACES PART NUMBERS

11016	172.2040	HT-95272	ST95149
11298	19840	HT-9528	ST9515
11301	19840	HT-9534	ST95156
12-148834	460169	HT-95356	ST95161
172.2001	E10736	HT-9542	ST95162
172.2001A	HT-9500	HT-9553	ST95171
172.2001D	HT-9501	HT-9561	ST9523
172.2001H	HT-9505	HT-9575	ST9526
172.2001Q	HT-9508	HT-9577	ST95272
172.2001QH	HT-9510	HT-9579	ST9528
172.2001R	HT-95118	HT-9581	ST9534
172.2001U	HT-95119	HT-9585	ST9542
172.2003	HT-95149	HT-9587	ST9553
172.2004	HT-9515	S270	ST9561
172.2005	HT-95156	ST9500	ST9575
172.2012	HT-95161	ST9501	ST9577
172.2013	HT-95162	ST9505	ST9579
172.2017	HT-95171	ST9508	ST9581
172.2018	HT-9523	ST9510	ST9585
172.2018	HT-95256	ST95118	ST9587
172.2029	HT-9526	ST95119	

REVERSIBLE AIR TANKS

TSJ12U: 12" DIA. REVERSIBLE AIR TANK



P/N	DIA.	CAPACITY	LENGTH	MAIN PORT A	MAIN PORT B	MAIN PORT C	MAIN PORT D	DRAIN PORTS E	END PORTS F	MATERIAL
TSJ12U	12"	2820 in ³	29.5"	3/4"	3/4"	3/4"	3/4"	1/4" (2)	3/8" (4)	Coated Steel

Use with our PLUG & BUSHING KIT (TSJKITF1) to replace common OEM style air tanks

TSJ12U REPLACES THE FOLLOWING AIR TANKS

OEM / REPLACES PART NUMBERS

035108	172.2024	HT-12149	HT-1276	ST1242
11040	172.2025	HT-1216	HT-1277	ST1243
11245	172.2033	HT-1217	HT-1279	ST1247
11261	172.2034	HT-1219	HT-1280	ST1248
172.2002	172.2045	HT-12208	HT-1294	ST1249
172.2002A	2000DH	HT-12211	ST1200	ST1253
172.2002AR	2002C121	HT-1223	ST1205	ST1254
172.2002BH	2002D	HT-1229	ST1209	ST1255
172.2002C121	2002E	HT-1231	ST12105	ST1270
172.2002D	2002H	HT-1242	ST1211	ST1273
172.2002E	461008	HT-1243	ST1214	ST1274
172.2002H	461009	HT-1247	ST12149	ST1276
172.2002R	HT-1200	HT-1248	ST1216	ST1277
172.2006	HT-1205	HT-1249	ST1217	ST1279
172.2007	HT-1209	HT-1253	ST1219	ST1280
172.2007A	HT-12100	HT-1254	ST12208	ST1294
172.2008B	HT-12105	HT-1255	ST12211	
172.2009	HT-1211	HT-1270	ST1223	
172.2020	HT-1214	HT-1273	ST1229	
172.2023	HT-12146	HT-1274	ST1231	