

# LOCK RODS & MORE

CREATE AN AIRTIGHT SEAL & SECURELY LOCK YOUR TRAILER SWING DOOR

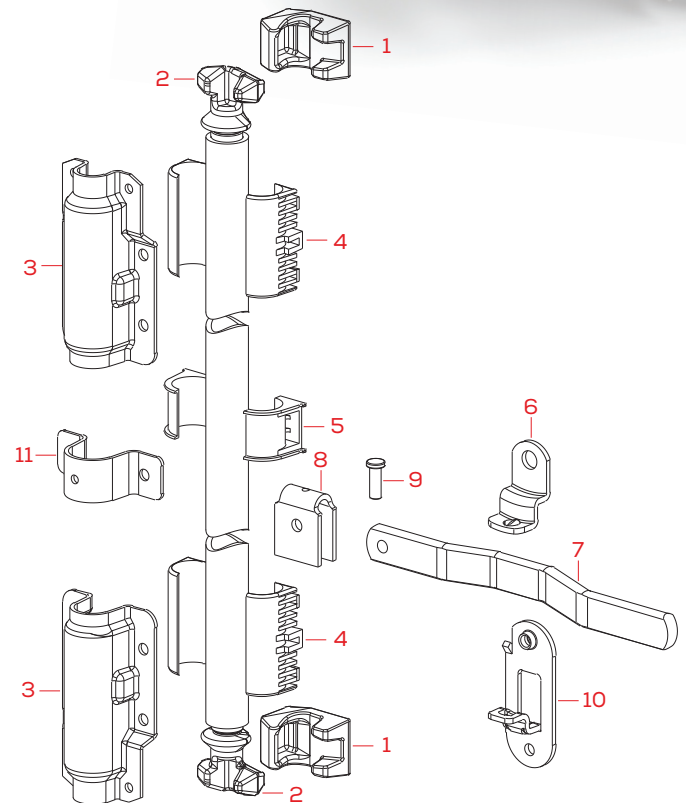
## LOCK ROD SETS

Commonly Used in Trailer Swing Doors, and Easily Installed with Locally Available 3/4" Pipe

| P/N       | DESCRIPTION   |
|-----------|---|
| 021-00312 | Lock Rod Hardware Set: 2 Keepers, 2 Cams, 4 Half Bearing Guide Plates, 2 Half Bearing Rod Guides, 2 Guide Plates, Rod Guide, Handle, Handle Mount, Seal Plate, Seal Pin, Rivet        |
| 021-00313 | Narrow Lock Rod Hardware Set: 2 Keepers, 2 Cams, 4 Half Bearing Guide Plates, 2 Half Bearing Rod Guides, 2 Guide Plates, Rod Guide, Handle, Handle Mount, Seal Plate, Seal Pin, Rivet |
| 023-00968 | Lock Rod Pipe, .105" wall   |

## INDIVIDUAL LOCK ROD COMPONENTS

| #  | P/N       | DESCRIPTION  |
|----|-----------|--|
| 1  | 023-00956 | Standard Top or Bottom Keeper, Single  |
| 1  | 023-00973 | Narrow Top or Bottom Keeper, Single  |
| 2  | 023-00958 | Standard Top or Bottom Cam, Left-Hand (for roadside bottom or curbside top)  |
| 2  | 023-00957 | Standard Top or Bottom Cam, Right-Hand (for curbside bottom or roadside top) |
| 2  | 023-00972 | Narrow Top or Bottom Cam, Left-Hand (for roadside bottom or curbside top)    |
| 2  | 023-00971 | Narrow Top or Bottom Cam, Right-Hand (for curbside bottom or roadside top)   |
| 3  | 023-00960 | Top or Bottom Guide Plate, Single  |
| 4  | 023-00959 | Top or Bottom Half Bearing Guide Plate, Single                               |
| 5  | 023-00966 | Half Bearing Rod Guide   |
| 6  | 023-00961 | Seal Pin   |
| 7  | 023-00962 | Handle   |
| 8  | 023-00963 | Handle Mount   |
| 9  | 023-00964 | Lock Handle Rivet  |
| 10 | 023-00965 | Seal Plate   |
| 11 | 023-00967 | Lock Rod Guide   |



# SWING DOOR REPLACEMENT PARTS

## DUAL-DUROMETER DOOR SEALS

Door seals are 168" long and light gray in color

| P/N       | DESCRIPTION                      |
|-----------|----------------------------------|
| 022-01300 | .75" Door Width/Thickness        |
| 022-01301 | 1" Door Width/Thickness          |
| 022-01305 | .5" Door Width/Thickness         |
| 022-01306 | Corner Tab, 24 Piece Package Set |

## LOUVERED VENTS

Non-adjustable to always allow air flow or adjustable to open and close as needed



| P/N       | DESCRIPTION                    |
|-----------|--------------------------------|
| 024-03000 | Plain Aluminum, Adjustable     |
| 024-03001 | Plain Aluminum, Non-Adjustable |

See online or catalog for Freight Vent Doors options

## DOOR BUMPERS

Rubber door bumpers protects swing doors and trailer walls from getting scratched or dented



| P/N       | DESCRIPTION                                |
|-----------|--|
| 022-01084 | Great Dane Door Bumper, Cross: 45064       |
| 022-01085 | Utility Dane Door Bumper, Cross: 3-1250-25 |

## TRAILER DOCK BUMPER

Protect docks from impact damage



| P/N       | DESCRIPTION   |
|-----------|---|
| 022-01409 | Molded durable rubber compound with two .53" Mounting Holes |

## CHAIN & SNAP HOLD-BACK

Chain style hold-back features a steel construction and a zinc plated finish



| P/N       | DESCRIPTION                               |
|-----------|---|
| 021-00051 | Chain, snap assembly and anchor hold back |



We're YOUR #1 Source for Swing Door Hinges - OVER 45 HINGES IN STOCK!

Check out our jumbo 24 x 36 Door Poster for our large selection of **SWING DOOR HINGES**. A great reference for part numbers, cross reference information & more.

