



/ 3-HOLE STYLE /



022-00889
Dorsey Style
Butt: 023-00662
Pin: 997-98022



022-00407
Great Dane Style
Pin: 997-98027



022-01058
Great Dane Style
Pin: 997-98015



023-00563
Great Dane Style
Pin: 997-98015



023-01656
Great Dane Style
Pin: 997-98015



023-01657
Hyundai Style



022-00614
Kentucky Style
Butt: 023-00645
Pin: 997-98017



022-01041
Manac Style



022-00030
Miller Style
Pin: 021-00376
Pin: 997-98017



023-00561
Miner Style
Butt: 023-00664
Pin: 997-98017



022-00996
Monon Style



022-01185
Monon Style



022-01046
Morgan Style



022-00995
Pines Style



022-01081
Stoughton Style



022-00490
Strick Style
Butt: 023-00642



022-01003
Strick Style



022-00966
Trailmobile Style
Butt: 023-00678
Pin: 997-98016



023-00008
Trailmobile Style
Butt: 023-00678
Pin: 997-98016



023-00940
Trailmobile Style
Butt: 023-00678
Pin: 997-98016



022-01056
Utility Style
Pin: 997-98017
Pin: 997-98020



022-01184
Utility Style



023-00943
Utility Style
Pin: 997-98019



022-01407
Vanguard Style
Insert: 022-01404

/ 4-HOLE STYLE /



022-00888
Dorsey Style
Butt: 023-00662
Pin: 997-98022



023-00557
Fruehauf Style
Radius Offset
Pin: 997-98017



023-00567
Fruehauf Style
Straight Offset
Pin: 997-98017



022-01009
Great Dane Style
Pin: 997-98027



022-01008
Stoughton Style
Pin: 997-98017
Pin: 021-00376



022-01013
Strick Style



022-01036
Trailmobile Style
Pin: 997-98016



022-01055
Vanco Style
Pin: 997-98017
Pin: 021-00376



022-00975
Wabash Style
Butt: 023-00669



022-01047
Wabash Style
Butt: 023-00669



022-01182
Wabash Style
Butt: 023-00669



022-01035
Kentucky Style
Side Door

/ 5-HOLE STYLE /



022-01004
Fruehauf Style
Pin: 997-98017



023-00559
Miner Style
Butt: 023-00664
Pin: 997-98017



023-02009
Miner Style
Pin: 997-98017

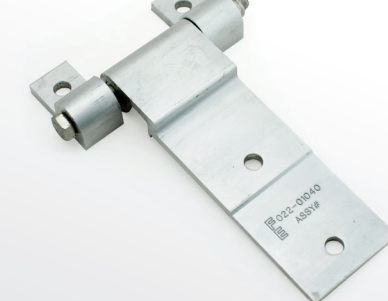


022-01086
Stoughton Style
Pin: 997-98015

/ NO HOLE STYLE & HINGE ASSEMBLIES /



022-01043
Manac Style



022-01040
Kentucky Style
Belly Box
Strap Only: 022-01090
Butt: 022-01091

/ HINGE PINS & INSERTS /



997-98022
Dorsey Style



997-98017
Fruehauf/Miner Style



997-98015
Great Dane Style



997-98027
Great Dane Style



997-98016
Trailmobile Style



021-00376
Hinge Bolt-Pin
Packaged Set



022-01404
Nylon Insert 2.78"



022-01405
Nylon Insert 3.76"



022-01083
Black Nylon
Hinge Insert

/ HINGE CROSS REFERENCES /

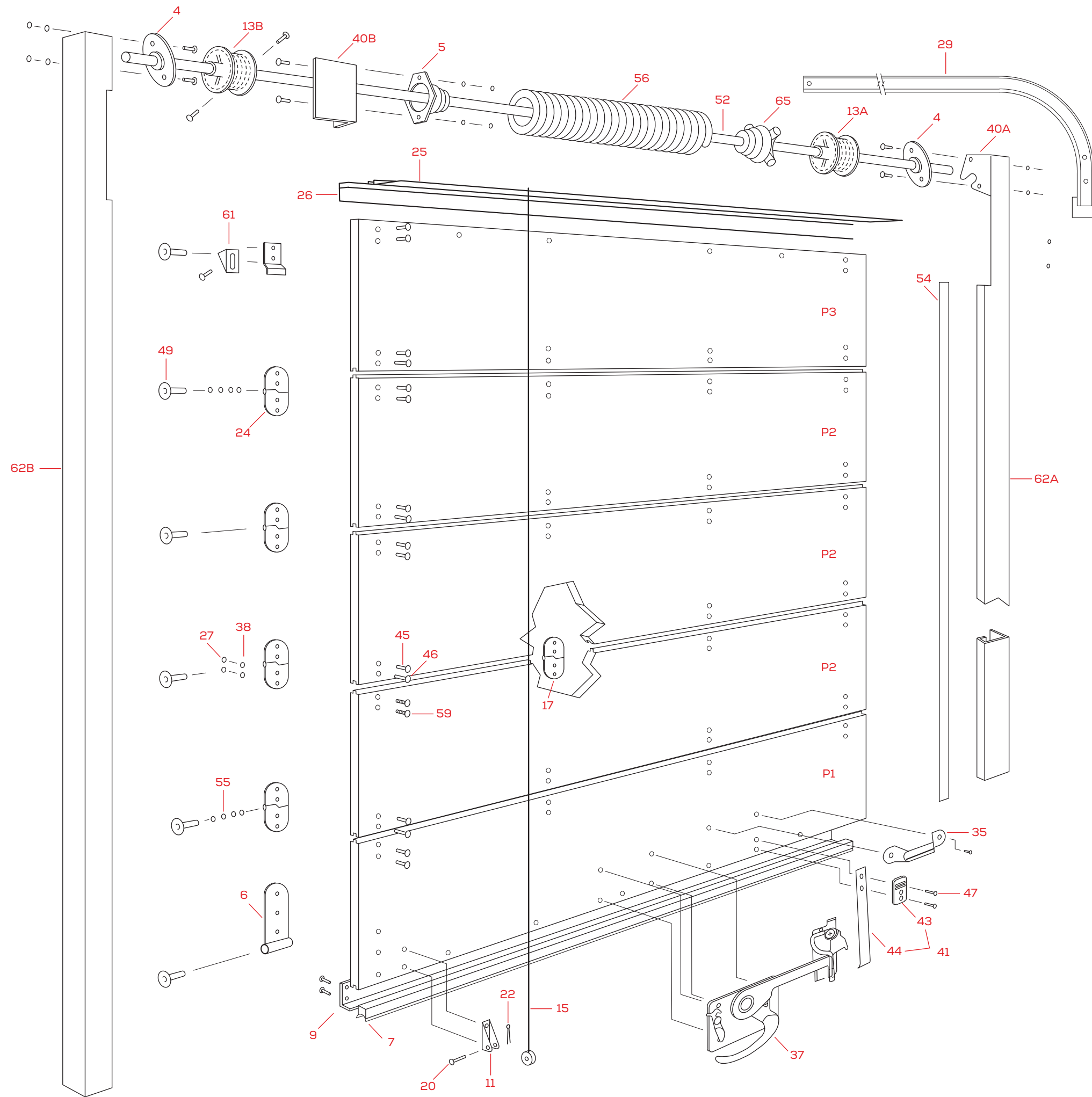
P/N	OEM Style	OEM P/Ns
022-00889	Dorsey	2810919
022-00888	Dorsey	2810093
023-00557	Fruehauf	DCE-8681-1
022-01004	Fruehauf	BCF004678001, DBA00158300
023-00567	Fruehauf	DCF-3990-1
022-00407	Great Dane	31801018
022-01009	Great Dane	31800904
022-01058	Great Dane	47563
023-00563	Great Dane	08138
023-01656	Great Dane	42500813
023-01657	Hyundai	TRR7000C-AH, 20003977
022-00614	Kentucky	2906, A1-5984-50
022-01035	Kentucky	6616396000
022-01040	Kentucky	6616600000
022-01041	Manac	V3K00002
022-01043	Manac	353-239
022-00030	Miller	B17-0116C, 4-18-0055, 5897, 5897-2
023-00559	Miner	H-1060-3, H-1060-4
023-00561	Miner	H-1081-3
023-02009	Miner	P108835, P108845, P108855
022-00996	Monon	PC1310

P/N	OEM Style	OEM P/Ns
022-01185	Monon	ED045011
022-01046	Morgan	004161
022-00995	Pines	AE54111, REB-0395
022-01008	Stoughton	04-09316-000-00
022-01081	Stoughton	04-86386-001-00, H-1085, P108630
022-01086	Stoughton	P108530, P108540, H-1085
022-01013	Strick	AA35F00230100
022-00490	Strick	AA33F01060100
022-01003	Strick	AA35F00100100
022-00966	Trailmobile	515-10-65
022-01036	Trailmobile	515-10-78-1
023-00008	Trailmobile	515-10-61A
023-00940	Trailmobile	515-10-73A
022-01184	Utility	3-4100-0022
022-01056	Utility	3410019
022-00943	Utility	1-4950-004
022-01055	Vanco	20038
022-01407	Vanguard	RFP00127
022-00975	Wabash	WAB06300291, 21100291
022-01047	Wabash	WAB06301272, 21101272
022-01182	Wabash	WN06301527, WAB06302245, 1089, P108940

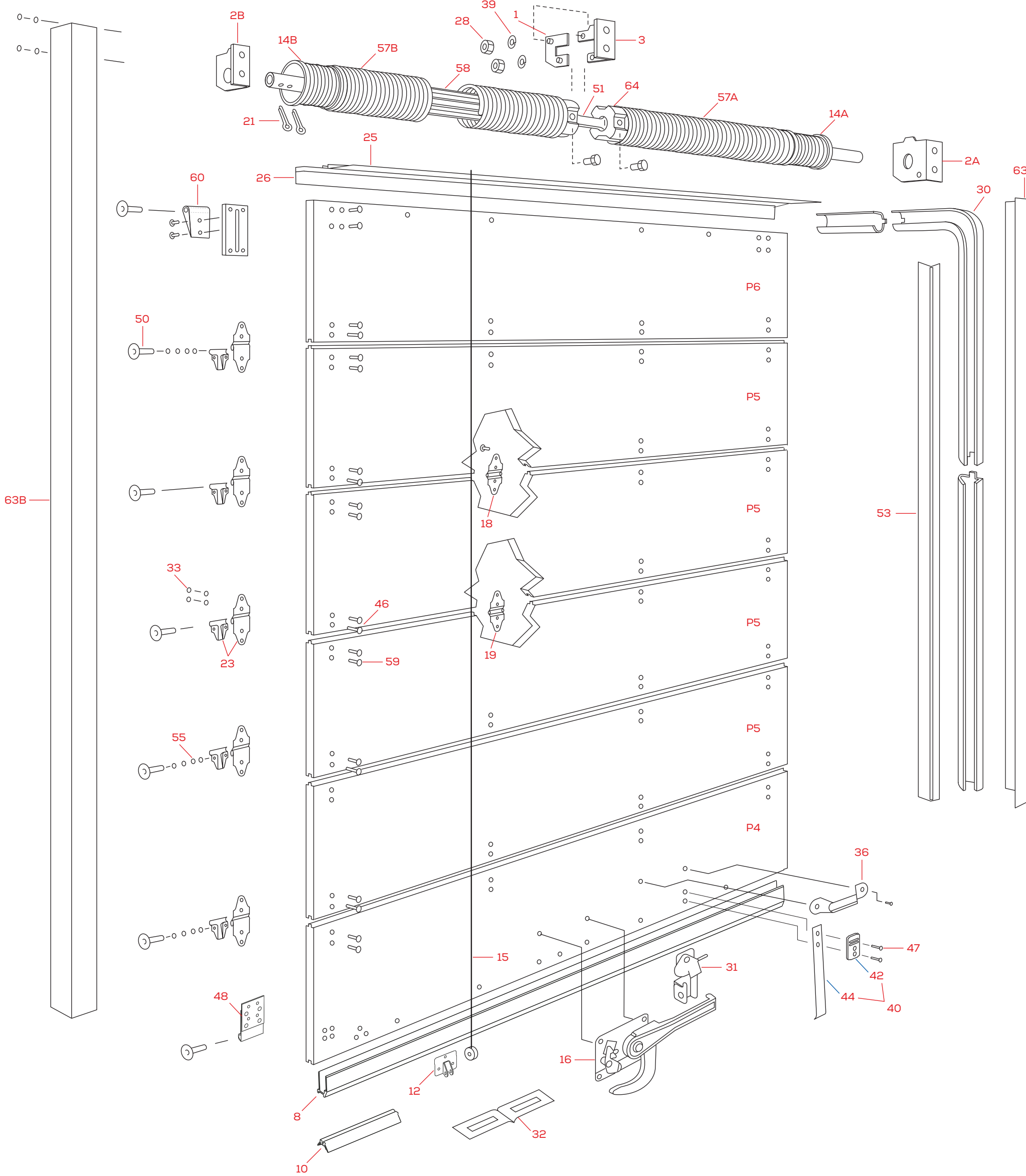
PrecisionTrak

WOOD ROLL-UP DOORS

1" RECESSED MOUNT ROLLER VERSION



2" FLUSH MOUNT ROLLER VERSION



Manufactured with 3/4", 7-ply, Transportation Grade, Hardwood Faced Plywood

Pre-Painted with a Durable Clear UV Finish or Primed Ready-to-Paint Finish

Interlocking tongue and groove panels ensure proper alignment and reduce moisture penetration

7" x 19" Stainless Steel Cables and Zinc or Stainless Steel Rivets

Spring assisted lock to reduce door bounce

Other options or configurations are available upon request

TRIM-TO-FIT DOOR SYSTEMS

PrecisionTrak - 1" Recessed Mount Roller Style

Ready-to-Paint Primer Doors with installed components, including Galvanized Hinges, Handle, Pull Strap, Bottom Seal and Retainer. Boxed components include Lock, Keeper, Cable Anchor Brackets, Cables, Rollers, Head Seal and Retainer and associated hardware.

ADDITIONAL OPTIONS

- Pre-Painted White Panels, add a "W" to your p/n - (ie...029-90090W)
- Stainless Steel Rivets and E-Coated Hardware, add "S" to your p/n - (ie...029-90090S)
- Both options above, add "WS" to your p/n - (ie...029-90090WS)

PART NUMBER	WIDTH	HEIGHT
029-90090	90"	90"
029-90100	90"	100"
029-90105	90"	105"
029-90107	90"	107"
029-90112	90"	112"
029-98090	98"	90"
029-98100	98"	100"
029-98105	98"	105"
029-98107	98"	107"
029-98112	98"	112"

PrecisionTrak - 2" Flush Mount Roller Style

Ready-to-Paint Primer Doors with installed components, including E-Coat Hinges, Handle, Pull Strap, Bottom Seal and Retainer. Boxed components include Lock, Keeper, Cable Anchor Brackets, Cables, Rollers, Head Seal and Retainer, Latch Plate, Top Fixture Brackets, Rubber Door Stop Set and associated hardware.

ADDITIONAL OPTIONS

- Pre-Painted White Panels, add a "W" to your p/n - (ie...029-90290W)
- Stainless Steel Rivets, add "S" to your p/n - (ie...029-90290S)
- Both options above, add "WS" to your p/n - (ie...029-90290WS)

PART NUMBER	WIDTH	HEIGHT
029-90290	90"	90"
029-90200	90"	100"
029-90205	90"	105"
029-90207	90"	107"
029-90212	90"	112"
029-98290	98"	90"
029-98200	98"	100"
029-98205	98"	105"
029-98207	98"	107"
029-98212	98"	112"

REPLACEMENT COMPONENTS

#	PART NUMBER	DESCRIPTION	#	PART NUMBER	DESCRIPTION
1	027-20306	Balancer Bracket Clamp	39	993-00703	Lock Washer, Split, 5/16"
2A	027-20308	Balancer Bracket, Curbside	40A	027-20401	Operator Bracket, Curbside
2B	027-20307	Balancer Bracket, Roadside	40B	027-20400	Operator Bracket, Roadside
3	027-20305	Balancer Center Bracket	40	025E10403	Pull Strap Assembly with E-Coat Retainer
4	027-20500	Bearing & Bracket Assembly	41	025-10403	Pull Strap Assembly with Zinc Retainer
5	027-20208	Bolt Plug	42	025E10432	Pull Strap Retainer, E-Coat, Heavy Duty
6	025-10250	Bottom Fixture	43	025-10432	Pull Strap Retainer, Zinc, Heavy Duty
7	026-40001	Bottom Seal	44	025-10421	Pull Strap, 32"
8	026-40050	Bottom Seal Retainer, Offset	45	995-00111-400	Rivet, 1.00", Zinc, 400/pk
	026-40018	Bottom Seal Retainer, 84"	46	995-00112-400	Rivet, 1.12", Zinc, 400/pk
9	026-40019	Bottom Seal Retainer, 90"	47	995-00113-400	Rivet, 1.25", Zinc, 400/pk
	026-40007	Bottom Seal Retainer, 96"	48	025-60653	Roller Mount, Bottom
10	026-40045	Bottom Seal, Offset, 98"	49	025-10100	Roller, 1.00" Steel
11	025-10300	Cable Anchor Bracket	50	025-10101	Roller, 2.00" Nylon
12	025-10301	Cable Anchor Bracket, Heavy Duty, E-Coat	51	027-20003	Shaft for Dual Spring Operators, 87"
13A	027-20301	Cable Drum, Curbside	52	027-20004	Shaft for Dual Spring Operators, 93"
13B	027-20300	Cable Drum, Roadside	53	027-20001	Shaft for Single Spring Operators, 89.5"
14A	027-20304	Cable Drum, Curbside, Decal End	54	027-20000	Shaft for Single Spring Operators, 96"
14B	027-20303	Cable Drum, Roadside, Red End	53	026-40400	Side Seal, Dual Diameter (Optional)
15	Varies	Cables - see website for complete options	54	026-40410	Side Seal, Standard (Optional)
16	025-10577	Cam Lock Handle, E-Coat	55	993-00240-100	Spacer Washer, 100/pk
17	025-10050	Center Hinge, Zinc	57	027-20102	Spring Assembly, 36"
18	025E10071	Center Hinge With Removable Pin	56	027-20101	Spring Assembly, 48"
19	025E10051	Center Hinge, E-Coat	56	027-20100	Spring Assembly, 60"
20	994-00002-100	Clevis Pin, 1/4", Zinc, 100/pk	57A	027-20112	Spring Assembly, Curbside, 33" Spring
21	994-00106	Cotter Pin, 1/8"-2, 5"	57A	027-20114	Spring Assembly, Roadside, 33" Spring
22	994-00105-100	Cotter Pin, Zinc, 100/pk	57B	027-20113	Spring Assembly, Roadside, 35" Spring
23	025E10002	End Hinge and Roller Cover, E-Coat	57B	027-20115	Spring Assembly, Roadside, 35" Spring
24	025-10001	End Hinge for 1" Roller Door	58	027-20126	Spring Spacer, 33"
25	026-40200	Head Seal Only	58	027-20127	Spring Spacer, 35"
26	026-40202	Head Seal Retainer Extrusion	59	991-00400-100	Step Bolt, 100/pk
27	992-00001-200	Hex Nut, 1/4" - 20, Zinc, 200/pk	60	025E10220	Top Closure Bracket Assembly
28	992-00005	Hex Nut, 5/16", Zinc	61	025-10200	Top Fixture Assembly
	028-30070	Horizontal Track 6" Radius, Curbside, 107"		028-01101	Vertical Track Assembly, Curbside, 106.5"
	028-30080	Horizontal Track 6" Radius, Curbside, 120"	62A	028-01114	Vertical Track Assembly, Curbside, 120"
	028-30071	Horizontal Track 6" Radius, Roadside, 107"		028-00190	Vertical Track Assembly, Curbside, 96.5"
	028-30081	Horizontal Track 6" Radius, Roadside, 120"		028-00101	Vertical Track Assembly, Roadside, 106.5"
	028-32072	Horizontal Track 8" Radius, Curbside, 107"	62B	028-00114	Vertical Track Assembly, Roadside, 120"
	028-32082	Horizontal Track 8" Radius, Curbside, 120"		028-00290	Vertical Track Assembly, Roadside, 96.5"
	028-32071	Horizontal Track 8" Radius, Roadside, 107"		028-02201	Vertical Track Assembly, Curbside, 106.5"
	028-32081	Horizontal Track 8" Radius, Roadside, 120"	63A	028-02214	Vertical Track Assembly, Curbside, 120"
31	025-10578	Keeper Assembly		028-02290	Vertical Track Assembly, Curbside, 96.5"
32	025-60052	Keeper Plate		028-02101	Vertical Track Assembly, Roadside, 106.5"
33	992-01100-200	Keyp Nut, 1/4" - 20, Zinc, 200/pk	63B	028-02114	Vertical Track Assembly, Roadside, 120"
35	025-10311	Lift Handle, Zinc		028-02090	Vertical Track Assembly, Roadside, 96.6"
36	025E10311	Lift Handle, E-Coat	64	027-20202	Winding Cone
37	025-10500	Lock Assembly	65	027-20207	Winding Plug
38	993-00721	Lock Washer, 1/4"			

98" REPLACEMENT PANELS - Primer Finish

#	PART NUMBER	HEIGHT	PANEL STYLE	ROLLER	#	PART NUMBER	HEIGHT	PANEL STYLE	ROLLER
P1	026-14221	11.00	Bottom with Hardware	1"	P4	026-94221	11.00	Bottom with Hardware	2"
P2	026-14521	11.00	Intermediate	1"	P5	026-94521	11.00	Intermediate	2"
P3	026-14621	11.00	Top	1"	P6	026-94621	11.00	Top	2"
P1	026-14222	12.00	Bottom with Hardware	1"	P4	026-94222	12.00	Bottom with Hardware	2"
P2	026-14522	12.00	Intermediate	1"	P5	026-94522	12.00	Intermediate	2"
P3	026-14622	12.00	Top	1"	P6	026-94622	12.00	Top	2"
P1	026-14223	13.00	Bottom with Hardware	1"	P4	026-94223	13.00	Bottom with Hardware	2"
P2	026-14523	13.00	Intermediate	1"	P5	026-94523	13.00	Intermediate	2"
P3	026-14623	13.00	Top	1"	P6	026-94623	13.00	Top	2"
P1	026-14225	15.00	Bottom with Hardware	1"	P4	026-94225	15.00	Bottom with Hardware	2"
P2	026-14525	15.00	Intermediate	1"	P5	026-94525	15.00	Intermediate	2"
P3	026-14625	15.00	Top	1"	P6	026-94625	15.00	Top	2"
P1	026-14225S	15.50	Bottom with Hardware	1"	P4	026-94225S	15.50	Bottom with Hardware	2"
P2	026-14525S	15.50	Intermediate	1"	P5	026-94525S	15.50	Intermediate	2"
P3	026-14625S	15.50	Top	1"	P6	026-94625S	15.50	Top	2"

For Pre-Painted White Panels, replace the hyphen in the p/n to a "CW" - (ie...026CW14221)