

ACCESS STEPS

PROVIDING DRIVERS SAFE ACCESS ON ALL TYPES OF VEHICLES IN THE HEAVY DUTY TRUCKING INDUSTRY



SLIP RESISTANT

Red powder coated steel grips provide visibility and extra traction for slip protection

MULTI-STEP OPTIONS

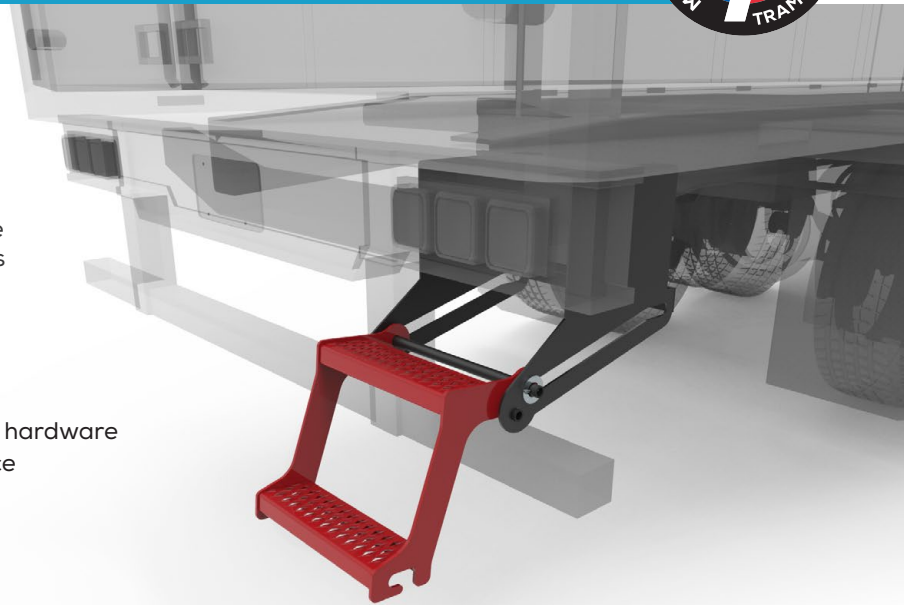
Available in 2 or 3 step options to accommodate varies ride heights or mounting locations such as rear or side door areas

EASY OPERATION

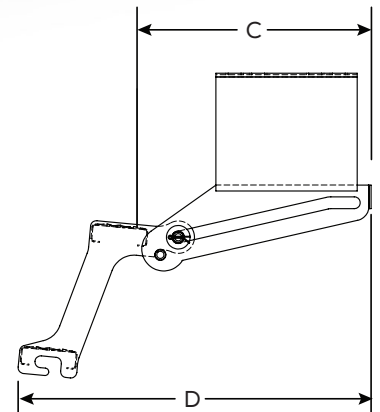
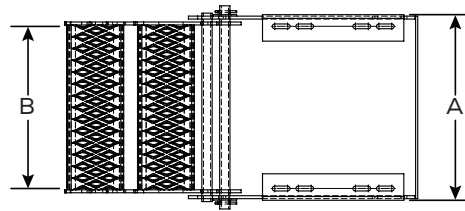
Easily retracts and securely stows

CORROSION RESISTANCE

Black E-Coated mounting bracket & stainless steel hardware for easy, durable assembly and corrosion resistance



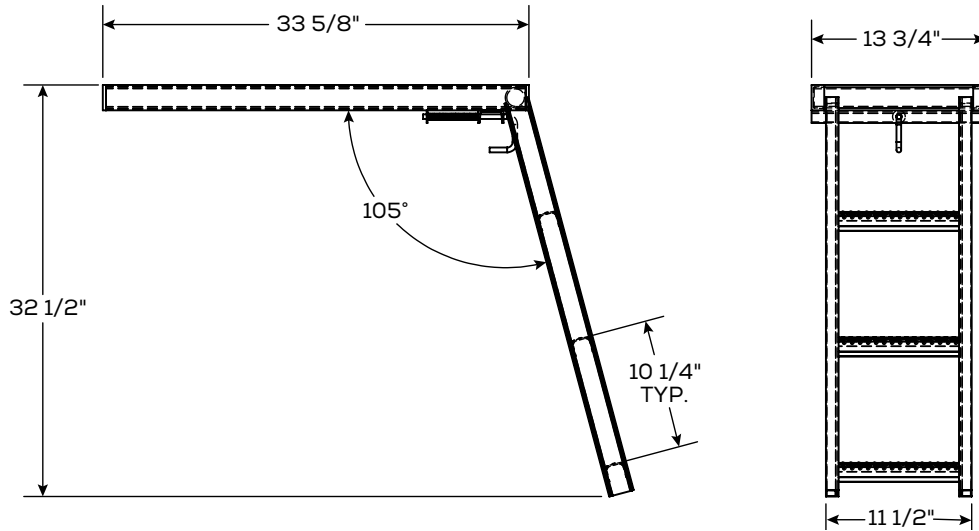
RETRACTABLE STEP ASSEMBLIES



P/N	WEIGHT	DESCRIPTION	TOTAL WIDTH (A)	STAIR WIDTH (B)	CLOSED LENGTH (C)	OPEN LENGTH (D)
TZ0802	40.4 lbs	Retractable Step Assembly, 2 Step	15-25/32"	13-25/32"	19-29/32"	29-3/4"
08-22	45.58 lbs	Retractable Step Assembly, 3 Step	15-25/32"	13-25/32"	31-5/16"	49"

ACCESS STEPS

RETRACTABLE LADDER ASSEMBLIES



P/N	WEIGHT	DESCRIPTION	TOTAL WIDTH	STAIR WIDTH	TOTAL HEIGHT	OPEN LENGTH
08-23	20.06 lbs	Retractable Ladder Assembly, 3 Step	13-3/4"	11-1/2"	32-1/2"	33-5/8"

IMPACT RESISTANT STEP - THE FLEXI-STEP

- Mounts to the rear or side areas of work trucks to add an extra step where easy access is required
- Red powder coated steel grips provide visibility and extra traction for slip protection
- Black E-coated mounting bracket & stainless steel hardware for easy, durable assembly and corrosion resistance
- Commonly used on utility or work trucks
- Made in the USA!



P/N	WEIGHT	DESCRIPTION	FINISH	STEP LENGTH	STEP WIDTH	BETWEEN BOLTS
08-43	7.91 lbs	Flexi-Step	E-Coat/Powder Coat	12"	4-3/4"	9"