

# TRAILER TIRE CARRIERS

BUILT TO LAST, EASY TO INSTALL!



WELD-ON



STANDARD  
BOLT-ON



NARROW  
BOLT-ON

## Mount Your Spare Tire UP and OUT of the Way

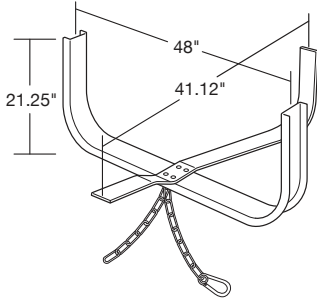
Keep your trailer organized and your spare tire secure with our heavy-duty tire carriers—built for durability, protection, and ease of use.

- / **Superior Rust Resistance** – Coated with *InterCoat® ChemGuard*, a corrosion-inhibiting coating that creates a self-healing permanent bond with the galvanized substrate\*
- / **Secure Fit** – Curved profile design cradles your spare tire, with an included chain to lock it in place
- / **Heavy Duty Strength** – Built from 12-gauge formed steel for long-lasting durability
- / **Easy Install** – Bolt-on or weld-on mounting kits; no frame drilling required
- / **Single or Dual Options** – Haul one spare... or two when the road demands it
- / **Made In the USA!**

\* InterCoat® ChemGuard coating not available on dual tire carrier option

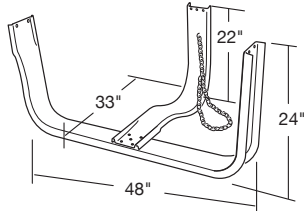
# TRAILER TIRE CARRIERS

## TRAILER TIRE CARRIERS FOR SINGLE TIRES



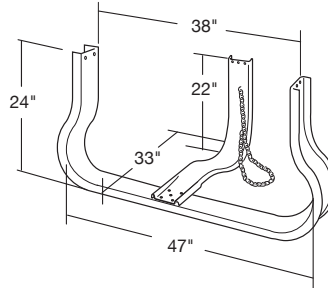
**WELD-ON  
STANDARD MOUNT**

- Holds tires max 42" diameter & 12" tire width
- .375" x 4" L support



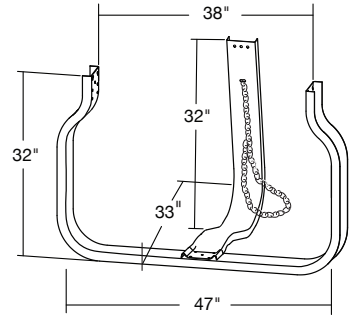
**BOLT-ON  
STANDARD MOUNT**

- Holds tires max 42" diameter & 18" tire width
- Universal mounting



**BOLT-ON  
NARROW MOUNT**

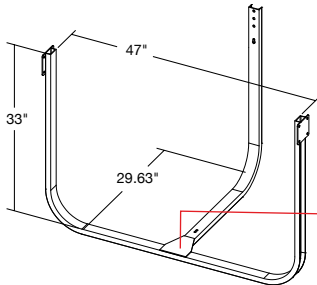
- Holds tires max 42" diameter & 12" tire width
- Universal mounting



**BOLT ON  
NARROW MOUNT**

- Holds tires max 42" diameter & 20" tire width
- Universal mounting
- For super single tires

## TRAILER TIRE CARRIERS FOR DUAL TIRES



**BOLT-ON STANDARD MOUNT, DUAL TIRES**

- Holds up to two (2) tires max 44" diameter and 12" wide rims or one (1) super single tire max 18" wide
- Universal Mounting
- For hauling dual spare tires
- Welded center construction provides more strength and durability than standard bolt connections, ensuring a secure and long-lasting tire mount

P/N	DESCRIPTION	FINISH	TIRE DIA.	TIRE WIDTH
984-00066	Weld-On, Assembled	Chemguard	Max 42"	Max 12"
984-00032	Standard Mount, Assembled	Chemguard	Max 42"	Max 18"
981-00159	Standard Mount, Unassembled Boxed	Chemguard	Max 42"	Max 18"
984-00035	Standard Mount, Unassembled Banded	Chemguard	Max 42"	Max 18"
984-00065	Narrow Mount, Assembled	Chemguard	Max 42"	Max 12"
984-00074	Narrow Mount, Super Single, Assembled	Chemguard	Max 42"	Max 20"
TZ0907	Standard Mount, Dual Tire	Black Powdercoat	Max 44"	Max 18"

Use **MOUNT ADAPTERS** to enable installation to I-beam cross members. E-Coat finish with Zinc-Plated Hardware. Available in single sets (981-00166) and bulk sets (981-00055).

**We also offer Back of Cab Tire Carriers!**

