

FLEET ENGINEERS

1800 EAST KEATING AVENUE
MUSKEGON, MI 49442
PH: 1-800-333-7890 • F: 231-777-2720

Installation Sheet #INS-02023

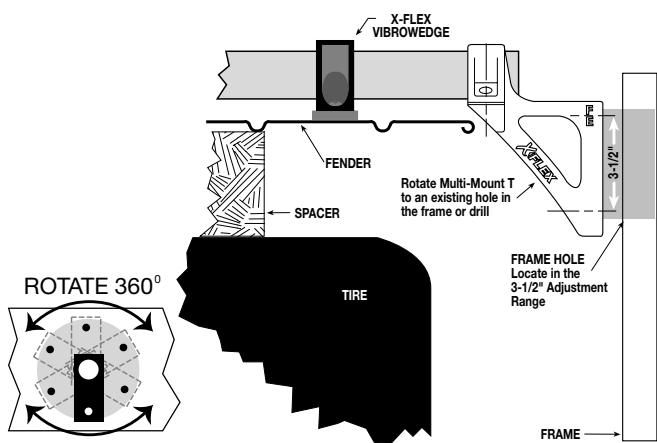
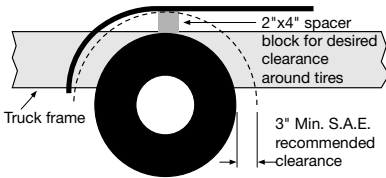
X-FLEX Multi-Mount® T Installation Instructions

Patent 7,073,804

The adjustable, versatile X-FLEX® Multi-Mount® T is designed for mounting on top of the fender using the X-FLEX® VIBROWEDGE® vibration isolation system.

NOTE: These instructions for installation are intended to be a general guide to help the installer. Because of the large number of possible mounting configurations, the installer is responsible for the ultimate installation design. Any modifications to the product are at the discretion, responsibility and risk of the installer.

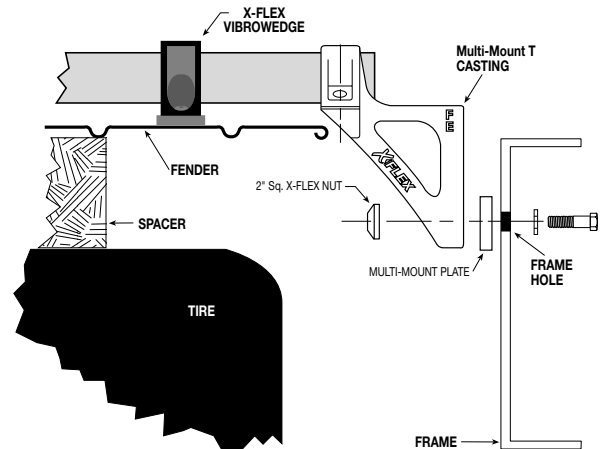
1. Position fender over tires. Use 2x4 block or other suitable spacer to achieve desired clearance around tires
2. Using the assembly instructions from the X-FLEX® VIBROWEDGE®, complete steps 1 & 2
3. While keeping the VIBROWEDGE® and the tube in position on the fender, slide the Multi-Mount® T on the end of the tube and position it against the truck frame. Rotate the Multi-Mount to select an existing hole in the frame or drill a clearance hole for a 5/8" dia. bolt adjustable within 3-1/2"



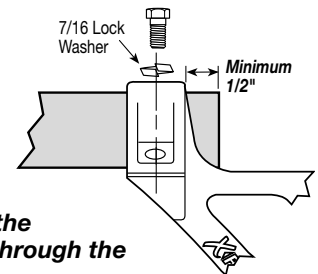
Note: If you wish to adjust the position of the VIBROWEDGE® on the fender to make use of an existing bolt hole in the frame, do so now.

Be sure to follow truck manufactures recommended procedures for drilling any required hole in the frame.

4. After the bolt hole has been selected or drilled, loosely fasten the Multi-Mount® T to the truck frame using the frame plate, square nut and 5/8" bolt with lock washer.



5. Adjust the Multi-Mount® T to the desired position. Proceed with step #3 & #4 of the VIBROWEDGE® assembly instructions to mark and drill the spot for the VIBROWEDGE® Isolators. Then continue with steps #5 through #8 of the VIBROWEDGE® instructions.
6. Position the tube until about 1/2" is showing through the Multi-Mount® clamp, then tighten the 7/16" clamp bolt.



NOTE: the position of the tube may be adjusted for different installations, but the tube must always be fully through the clamp.

7. When all the mounts are installed and the fender is in the desired location, remove the spacer blocks and tighten all screws and bolts to proper torque:

**5/8" bolts torque to 245 ft. lbs.
7/16" bolts torque to 55 ft. lbs.**

8. Complete steps #9 & #10 of the VIBROWEDGE® assembly instructions.
9. Install end caps as per instructions.

Each X-FLEX® Multi-Mount® T System Includes:

- 2 Multi-Mount® e-coat Castings
- 2 2" sq. X-FLEX® Nuts
- 2 Mounting Tubes
- 2 Multi-Mount® Plates
- 4 End Caps
- 2 7/16"-14 x 1-1/4 Bolts
- 2 7/16" Lock Washer
- 2 5/8"-11 x 2-1/2" Bolts
- 2 5/8" Lock Washers

