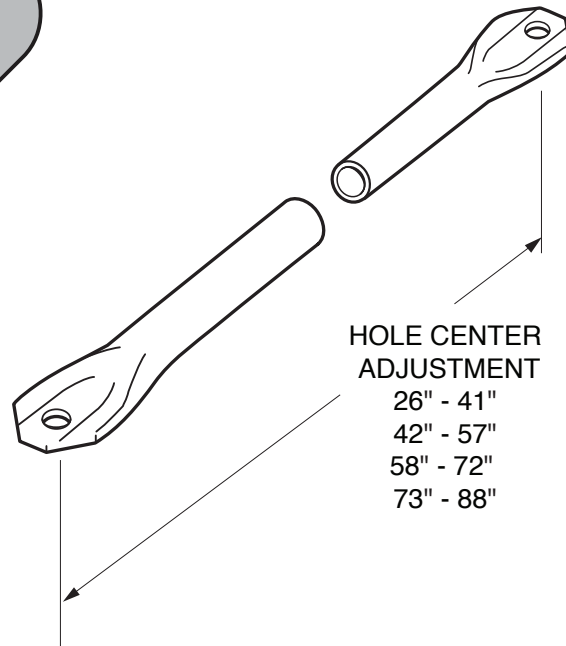


STANDARD
SIDE LOADED
BRACE END
AND INSERT



HOLE CENTER
ADJUSTMENT

- 26" - 41"
- 42" - 57"
- 58" - 72"
- 73" - 88"

- PART NUMBER
- 013-00991 / 013-01601
 - 013-00992 / 013-01602
 - 013-00993 / 013-01603
 - 013-00996

Description
Two-Piece Adjust-A-Brace
Literature Number
DD-013-00991-B-20210707
Part Numbers
013-00991
013-00992
013-00993
013-01601
013-01602
013-01603